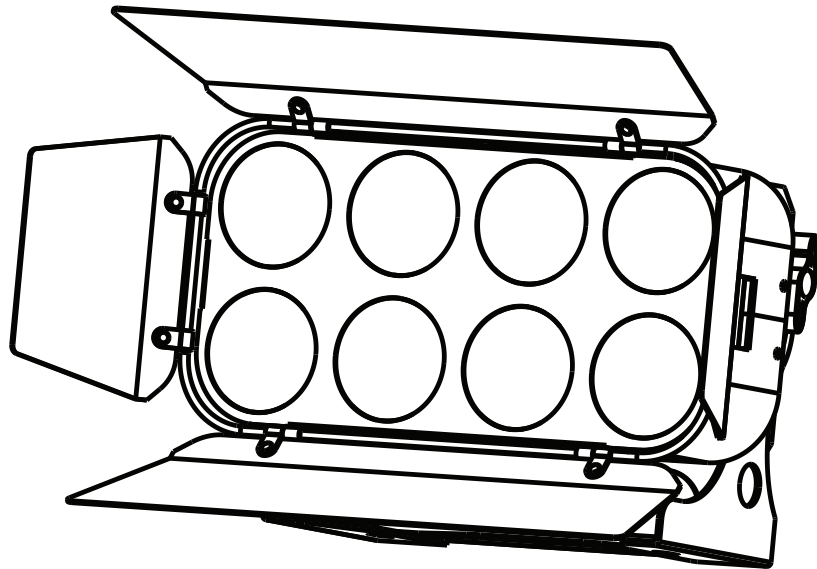




Dotz Panel 2.4



User Instructions

©2013 ADJ Products, LLC all rights reserved. Information, specifications, diagrams, images, and instructions herein are subject to change without notice. ADJ Products, LLC logo and identifying product names and numbers herein are trademarks of ADJ Products, LLC. Copyright protection claimed includes all forms and matters of copyrightable materials and information now allowed by statutory or judicial law or hereinafter granted. Product names used in this document may be trademarks or registered trademarks of their respective companies and are hereby acknowledged. All non-ADJ Products, LLC brands and product names are trademarks or registered trademarks of their respective companies.

ADJ Products, LLC and all affiliated companies hereby disclaim any and all liabilities for property, equipment, building, and electrical damages, injuries to any persons, and direct or indirect economic loss associated with the use or reliance of any information contained within this document, and/or as a result of the improper, unsafe, insufficient and negligent assembly, installation, rigging, and operation of this product.

Dotz Panel 2.4

Introduction

Unpacking: Thank you for purchasing the Dotz Panel 2.4 by ADJ Products, LLC. Every Dotz Panel 2.4 has been thoroughly tested and has been shipped in perfect operating condition. Carefully check the shipping carton for damage that may have occurred during shipping. If the carton appears to be damaged, carefully inspect your fixture for any damage and be sure all accessories necessary to operate the unit has arrived intact. In the case damage has been found or parts are missing, please contact our toll free customer support number for further instructions. Do not return this unit to your dealer without first contacting customer support.

Introduction: The Dotz Panel 2.4 is part of ADJ's continuing pursuit for creating high quality affordable intelligent fixtures. The Dotz Panel 2.4 is a high performance, DMX intelligent, LED fixture. This fixture is a great piece for retail stores, displays, mood, architectural, interior and exterior decoration, and clubs. This unit can be used as a stand alone unit, or in a Master/Slave configuration. The unit can also be controlled via DMX controller. This fixture is suitable for theaters, studios, retail stores, and other similar locations.

Customer Support: ADJ Products, LLC provides a toll free customer support line, to provide set up help and to answer any question should you encounter problems during your set up or initial operation. You may also visit us on the web at www.adj.com for any comments or suggestions. Service Hours are Monday through Friday 8:00 a.m. to 4:30 p.m. Pacific Standard Time.

Voice: (800) 322-6337

Fax: (323) 582-2941

E-mail: support@americandj.com

To purchase parts online visit <http://parts.americandj.com>

Warning! To prevent or reduce the risk of electrical shock or fire, do not expose this unit to rain or moisture.

Caution! There are no user serviceable parts inside this unit. Do not attempt any repairs yourself, doing so will void your manufactures warranty. In the unlikely event your unit may require service please contact ADJ Products, LLC.

PLEASE recycle the shipping carton when ever possible.

Dotz Panel 2.4

General Instructions

To optimize the performance of this product, please read these operating instructions carefully to familiarize yourself with the basic operations of this unit. These instructions contain important safety information regarding the use and maintenance of this unit. Please keep this manual with the unit, for future reference.

Dotz Panel 2.4

Features

- RGB Color Mixing
- Strobing
- Electronic Dimming 0-100%
- Built in Microphone
- DMX-512 protocol
- Five DMX Modes: 3 Channel Mode, 6 Channel Mode, 8 Channel Mode, 24 Channel Mode, & 29 Channel Mode
- 4 Operating Modes - Sound Active, Auto Run, Built-In Programs, or DMX Control
- Power Cord Daisy Chaining (See Page 20)

Dotz Panel 2.4

Warranty Registration

The Dotz Panel 2.4 carries a 3 year (1095 days) limited warranty. Please fill out the enclosed warranty card to validate your purchase and warranty. You may also register your product online at www.americandj.com. All returned service items whether under warranty or not, must be freight pre-paid and accompany a return authorization (R.A.) number. If the unit is under warranty you must provide a copy of your proof of purchase invoice. Please contact ADJ Products, LLC customer support for a R.A. number.

- To reduce the risk of electrical shock or fire, do not expose this unit rain or moisture
- Do not spill water or other liquids into or on to your unit.
- Be sure that the local power outlet match that of the required voltage for your unit.
- Do not attempt to operate this unit if the power cord has been frayed or broken. Do not attempt to remove or break off the ground prong from the electrical cord. This prong is used to reduce the risk of electrical shock and fire in case of an internal short.
- Disconnect from main power before making any type of connection.
- Do not remove the cover under any conditions. There are no user serviceable parts inside.
- Never operate this unit when it's cover is removed.
- Never plug this unit in to a dimmer pack
- Always be sure to mount this unit in an area that will allow proper ventilation. Allow about 6" (15cm) between this device and a wall.
- Do not attempt to operate this unit, if it becomes damaged.
- This unit is intended for indoor use only, use of this product outdoors voids all warranties.
- During long periods of non-use, disconnect the unit's main power.
- Always mount this unit in safe and stable matter.
- Power-supply cords should be routed so that they are not likely to be walked on or pinched by items placed upon or against them, paying particular attention to the point they exit from the unit.
- Cleaning -The fixture should be cleaned only as recommended by the manufacturer. See page 21 for cleaning details.
- Heat -The appliance should be situated away from heat sources such as radiators, heat registers, stoves, or other appliances (including amplifiers) that produce heat.
- The fixture should be serviced by qualified service personnel when:
 - A. The power-supply cord or the plug has been damaged.
 - B. Objects have fallen, or liquid has been spilled into the appliance.
 - C. The appliance has been exposed to rain or water.
 - D. The appliance does not appear to operate normally or exhibits a marked change in performance.

Power Supply: The ADJ Dotz Panel 2.4 contains a automatic voltage switch, which will auto sense the voltage when it is plugged into a power source. With this switch there is no need to worry about the correct power voltage, this unit can be plugged in anywhere. Always use the PowerCon cord that came with the unit.

DMX-512: DMX is short for Digital Multiplex. This is a universal protocol used as a form of communication between intelligent fixtures and controllers. A DMX controller sends DMX data instructions from the controller to the fixture. DMX data is sent as serial data that travels from fixture to fixture via the DATA "IN" and DATA "OUT" XLR terminals located on all DMX fixtures (most controllers only have a DATA "OUT" terminal).

DMX Linking: DMX is a language allowing all makes and models of different manufactures to be linked together and operate from a single controller, as long as all fixtures and the controller are DMX compliant. To ensure proper DMX data transmission, when using several DMX fixtures try to use the shortest cable path possible. The order in which fixtures are connected in a DMX line does not influence the DMX addressing. For example; a fixture assigned a DMX address of 1 may be placed anywhere in a DMX line, at the beginning, at the end, or anywhere in the middle. When a fixture is assigned a DMX address of 1, the DMX controller knows to send DATA assigned to address 1 to that unit, no matter where it is located in the DMX chain.

Data Cable (DMX Cable) Requirements (For DMX Operation):

The Dotz Panel 2.4 can be controlled via DMX-512 protocol. The Dotz Panel 2.4 has 5 DMX Channel Modes. The DMX address is set on the rear panel of the Dotz Panel 2.4. Your unit and your DMX controller require a approved DMX-512 110 Ohm Data cable for data input and data output (Figure 1). We recommend Accu-Cable DMX cables. If you are making your own cables, be sure to use standard 110-120 Ohm shielded cable (This cable may be purchased at almost all professional sound and lighting stores). Your cables should be made with a male and female XLR connector on either end of the cable. Also remember that DMX cable must be daisy chained and cannot be split.



Figure 1

Notice: Be sure to follow figures two and three when making your own cables. Do not use the ground lug on the XLR connector. Do not connect the cable's shield conductor to the ground lug or allow the shield conductor to come in contact with the XLR's outer casing. Grounding the shield could cause a short circuit and erratic behavior.

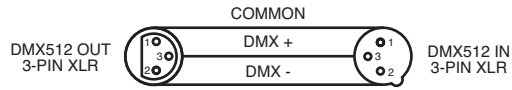


Figure 2

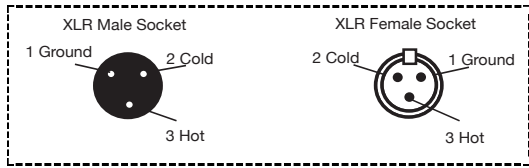


Figure 3

XLR Pin Configuration	
Pin 1 =	Ground
Pin 2 =	Data Compliment (negative)
Pin 3 =	Data True (positive)

Special Note: Line Termination. When longer runs of cable are used, you may need to use a terminator on the last unit to avoid erratic behavior. A terminator is a 90-120 ohm 1/4 watt resistor which is connected between pins 2 and 3 of a male XLR connector (DATA + and DATA -). This unit is inserted in the female XLR connector of the last unit in your daisy chain to terminate the line. Using a cable terminator (ADJ part number Z-DMX/T) will decrease the possibilities of erratic behavior.



Termination reduces signal errors and avoids signal transmission problems and interference. It is always advisable to connect a DMX terminal, (Resistance 120 Ohm 1/4 W) between PIN 2 (DMX-) and PIN 3 (DMX +) of the last fixture.

Figure 4

5-Pin XLR DMX Connectors. Some manufactures use 5-pin XLR connectors for DATA transmission in place of 3-pin. 5-pin XLR fixtures may be implemented in a 3-pin XLR DMX line. When inserting standard 5-pin XLR connectors in to a 3-pin line a cable adaptor must be used, these adaptors are readily available at most electric stores. The chart below details a proper cable conversion.

3-Pin XLR to 5-Pin XLR Conversion		
Conductor	3-Pin XLR Female (Out)	5-Pin XLR Male (In)
Ground/Shield	Pin 1	Pin 1
Data Compliment (- signal)	Pin 2	Pin 2
Data True (+ signal)	Pin 3	Pin 3
Not Used		Do Not Use
Not Used		Do Not Use

Built-In Programs

STATIC COLOR CL:RGB Flash00-99	Blackout, Red-Green-Blue-Yellow-Cyan-Purple-White Flash speed adjustable.
DREAM Speed00-99 Flash00-99	Seven color dreaming Speed & Flash adjustable
METEOR Speed00-99 Flash00-99	Seven color flow Speed & Flash adjustable
FADE Speed00-99 Flash00-99	Seven color fade Speed & Flash adjustable
CHANGE Speed00-99 Flash00-99	Seven color change Speed & Flash adjustable
FLOW 1 Speed00-99 Flash00-99	Seven color chase Speed & Flash adjustable
FLOW 2 Speed00-99 Flash00-99	Seven color chase Speed & Flash adjustable
FLOW 3 Speed00-99 Flash00-99	Seven color chase Speed & Flash adjustable
FLOW 4 Speed00-99 Flash00-99	Seven color chase Speed & Flash adjustable
FLOW 5 Speed00-99 Flash00-99	Seven color chase Speed & Flash adjustable
FLOW 6 Speed00-99 Flash00-99	Seven color chase Speed & Flash adjustable
FLOW 7 Speed00-99 Flash00-99	Seven color chase Speed & Flash adjustable
FLOW 8 Speed00-99 Flash00-99	Seven color chase Speed & Flash adjustable
FLOW 9 Speed00-99 Flash00-99	Seven color chase Speed & Flash adjustable

The LCD backlight will shut off after 30 seconds, to relight the background, press the MODE button for 5 seconds.

DMX Mode - Set the DMX Address and DMX Channel Mode -

1. Press the MENU button until “DMX Mode” and underneath “ADDR: XXX” and “CH:XX” is displayed, press ENTER.
2. “XXX” will now begin to flash, use the UP and DOWN buttons to find your desired DMX address, then press ENTER.
3. “XX” will now begin to flash, use the UP and DOWN buttons to find your desired DMX Channel mode, then press ENTER.

Slave Mode - This will let you set your unit as a slave in a master/slave configuration.

1. Press the MENU button until “Slave Mode” is displayed. Your unit will now follow the Master.

Sound Mode - In this mode the unit will run in sound active mode.

1. Press the MENU button until “Sound Mode” is displayed.
2. Press ENTER to adjust your sound sensitivity. When you press ENTER the number next to “Sens” will begin to flash, use the UP and DOWN buttons to adjust the sound sensitivity. Once you found your desired sensitivity press ENTER to confirm.
3. When you press ENTER the number next to “FQN” will not begin to flash, use the UP and DOWN buttons to adjust the frequency rate. Press ENTER to confirm your setting.

Auto Run -

1. Press the MENU button until “Auto Run” is displayed, press ENTER.

2. “FQN:XX” will now be displayed, “XX” representing the Frequency Rate (Auto Run speed).
3. Press ENTER and the number will begin to flash, use the UP and DOWN buttons to adjust the speed, 01 being the slowest and 99 being the fastest. Press ENTER to confirm.

Built-In Programs - See the chart on page 7 to find your desired program.

1. Press the MENU button until one of the Programs on page 7 is displayed. The displayed program depends on the last program you had set the unit to.
2. Press ENTER to move through the various adjustments of each program, and use the UP and DOWN button to make adjustments.

Dim Curve - This setting will let you select your desired dimming curve.

1. Press the MENU button until “Dim Curve” is displayed, press ENTER.
2. 1 of 5 dimming curve settings will be displayed: Standard, Stage, TV, Architectural, or Theatre. Use the UP and DOWN buttons to select your desired dimming curve and press ENTER to confirm.

Pixel Flip - In this mode you adjust the unit so that the LEDs in DMX mode will illuminate at your desired starting point.

1. Press the MENU button until “Pixel Flip” is displayed, press ENTER.
2. Either “OFF” or “ON”, will be displayed. “ON” will have the unit light up bottom right to left. “OFF” will have the unit light up top

left to right. Use the UP or DOWN buttons to find your desired setting, and press ENTER.

NO DMX - This mode can be used as a precaution mode, that in case the DMX signal is lost, the operating mode chosen in the setup is the running mode the fixture will go into when the DMX signal is lost. You can also set this as the operating mode you would like the unit to return to when power is applied.

1. Press the MENU button until “NO DMX” is displayed, and either “Sound”, “Auto”, “Black”, or “Hold” will be displayed beneath.
2. Press ENTER and the bottom choice will begin to flash. Use the UP or DOWN buttons to choose an operating mode you would like the unit to start up in when power is applied or the DMX signal is lost.

- Sound - If the DMX signal is lost or power is applied, the unit will automatically go into sound active mode.
 - Auto - If the DMX signal is lost or power is applied, the unit will automatically go into Auto Run mode.
 - Black (Blackout) - If the DMX signal is lost or power is applied, the unit will automatically go into stand by mode.
 - Hold - If the DMX signal is lost the fixture will stay in the last DMX setting. If power is applied and this mode is set, the unit will automatically go into the last DMX set up.
3. Press ENTER to confirm your desired set up.

Personality - This will let you set your unit as a Master in a master/slave configuration.

1. Press the MENU button until “Personality” is displayed. Your unit will now be the Master unit in a Master-Slave configuration.

Universal DMX Control: This function allows you to use a Elation® universal DMX-512 controller to control the chases and patterns, dimmer and strobe. A DMX controller allows you to create unique programs tailored to your individual needs. The Dotz Panel 2.4 has 5 DMX channel modes; a 3 Channel Mode, 6 Channel Mode, 8 Channel Mode, 24 Channel Mode, & 29 Channel Mode. To select your channel mode see page 8.

1. This function will allow you to control each individual fixture’s traits with a standard DMX 512 controller such as the Elation® Show Designer™ or the Elation® DMX Operator.™
2. To run your fixture in DMX mode, follow directions on page 8 to set your DMX address and DMX Channel mode.
3. Plug in the fixture via the XLR connections to any standard DMX controller.
4. For longer cable runs (more than a 100 feet) use a terminator on the last fixture.

Master-Slave Operation: This function will allow you to link up to 16 units together and operate without a controller. The units will be sound activated. In Master-Slave operation one unit will act as the controlling unit and the others will react to the controlling units programs. Any unit can act as a Master or as a Slave.

1. Using approved DMX data cables, daisy chain your units together via the XLR connector on the rear of the units. Remember the Male XLR connector is the input and the Female XLR connector is the output. The first unit in the chain (master) will use the female XLR connector only - The last unit in the chain will use the male XLR connector only. For longer cable runs we suggest a terminator at the last fixture.
2. On the Master unit, designate the unit as a “Master” unit following the instructions on page 10. Then set your desired operating mode.
3. On the slave units press the MODE button until “Slave Mode” is displayed.
4. The slave units will now follow the Master unit.

Dotz Panel 2.4

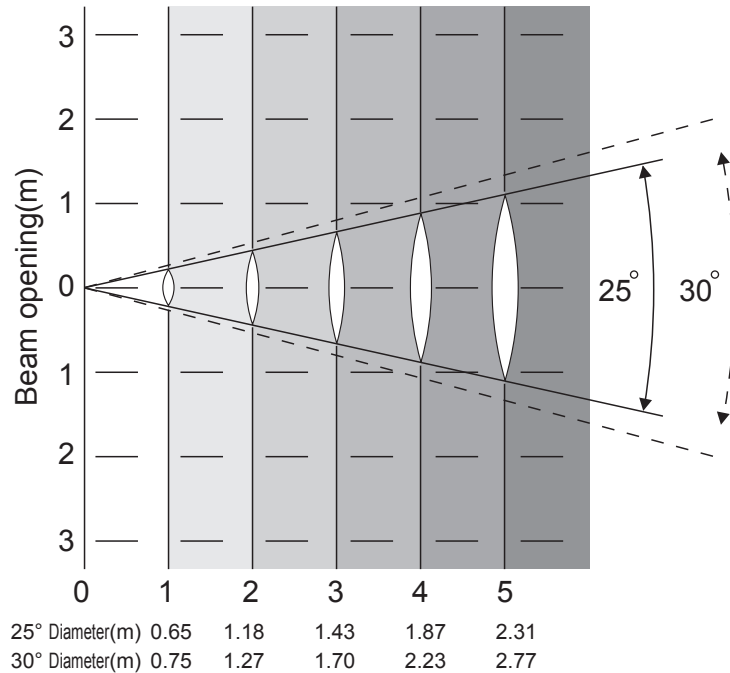
Photometrics

Beam angle 25°

Field angle 30°

Intensity(LUX)

Red LEDs	893	259	129	74	47
Green LEDs	1245	368	172	99	66
Blue LEDs	1683	487	236	135	87
Full LEDs	3220	1005	450	270	176



Dotz Panel 2.4

3 Channel Mode

Channel	Value	Function
1	0 - 255	RED 0% - 100%
2	0 - 255	GREEN 0% - 100%
3	0 - 255	BLUE 0% - 100%

Dotz Panel 2.4

6 Channel Mode

Channel	Value	Function
1	0 - 255	RED 0% - 100%
2	0 - 255	GREEN 0% - 100%
3	0 - 255	BLUE 0% - 100%
4	0 - 255	MASTER DIMMER 0% - 100%
5	0 - 255	STROBING SLOW - FAST
6	0 - 41 42 - 84 85 - 127 128 - 170 171 - 213 214 - 255	DIMMER CURVES STANDARD STAGE TV ARCHITECTURAL THEATER DEFAULT TO UNIT CURVE SETTING

Dotz Panel 2.4		8 Channel Mode
Channel	Value	Function
1	0 - 255	RED 0% - 100%
2	0 - 255	GREEN 0% - 100%
3	0 - 255	BLUE 0% - 100%
4	0 - 15 16 - 23 24 - 31 32 - 39 40 - 47 48 - 55 56 - 63 64 - 71 72 - 79 80 - 87 88 - 95 96 - 103 104 - 111 112 - 119 120 - 127 128 - 135 136 - 143 144 - 151 152 - 159 160 - 167 168 - 175 176 - 183 184 - 191 192 - 199 200 - 207 208 - 215 216 - 223	COLOR MACROS & PROGRAMS NO FUNCTION RED GREEN BLUE RED & GREEN GREEN & BLUE RED & BLUE RED, GREEN, & BLUE COLOR 1 COLOR 2 COLOR 3 COLOR 4 COLOR 5 COLOR 6 COLOR 7 COLOR 8 COLOR FADE 1 COLOR SNAKE COLOR FADE 2 COLOR CHANGE COLOR FLOW 1 COLOR FLOW 2 COLOR FLOW 3 COLOR FLOW 4 COLOR FLOW 5 COLOR FLOW 6 COLOR FLOW 7

Dotz Panel 2.4		8 Channel Mode
Channel	Value	Function
4	216 - 223 224 - 231 232 - 239 240 - 247 248 - 255	COLOR MACROS & PROGRAMS COLOR FLOW 7 COLOR FLOW 8 COLOR FLOW 9 COLOR FLOW 10 N/G
5	0 - 255	PROGRAM SPEED/SOUND SENSE PROGRAM SPEED SLOW - FAST
6	0 - 255	MASTER DIMMER 0% - 100%
7	0 - 255	STROBING SLOW - FAST
8	0 - 41 42 - 84 85 - 127 128 - 170 171 - 213 214 - 255	DIMMER CURVES STANDARD STAGE TV ARCHITECTURAL THEATER DEFAULT TO UNIT CURVE SETTING

When Channel 4 is being used between the values of 136-239, Channel 5 will control the speed of the programs.

When Channel 4 is being used between the values of 240-255, Channel 5 will control sound sensitivity.

Dotz Panel 2.4		24 Channel Mode
Channel	Value	Function
1	0 - 255	RED 1 0% - 100%
2	0 - 255	GREEN 1 0% - 100%
3	0 - 255	BLUE 1 0% - 100%
4	0 - 255	RED 2 0% - 100%
5	0 - 255	GREEN 2 0% - 100%
6	0 - 255	BLUE 2 0% - 100%
7	0 - 255	RED 3 0% - 100%
8	0 - 255	GREEN 3 0% - 100%
9	0 - 255	BLUE 3 0% - 100%
Channels 10-18 continue the same RGB LED Pattern		
19	0 - 255	RED 7 0% - 100%
20	0 - 255	GREEN 7 0% - 100%
21	0 - 255	BLUE 7 0% - 100%
22	0 - 255	RED 8 0% - 100%
23	0 - 255	GREEN 8 0% - 100%
24	0 - 255	BLUE 8 0% - 100%

Dotz Panel 2.4		29 Channel Mode
Channel	Value	Function
1	0 - 255	RED 1 0% - 100%
2	0 - 255	GREEN 1 0% - 100%
3	0 - 255	BLUE 1 0% - 100%
4	0 - 255	RED 2 0% - 100%
5	0 - 255	GREEN 2 0% - 100%
6	0 - 255	BLUE 2 0% - 100%
7	0 - 255	RED 3 0% - 100%
8	0 - 255	GREEN 3 0% - 100%
9	0 - 255	BLUE 3 0% - 100%
Channels 10-18 continue the same RGB LED Pattern		
19	0 - 255	RED 7 0% - 100%
20	0 - 255	GREEN 7 0% - 100%
21	0 - 255	BLUE 7 0% - 100%
22	0 - 255	RED 8 0% - 100%
23	0 - 255	GREEN 8 0% - 100%
24	0 - 255	BLUE 8 0% - 100%

Dotz Panel 2.4		29 Channel Mode
Channel	Value	Function
25		COLOR MACROS & PROGRAMS
	0 - 15	NO FUNCTION
	16 - 23	RED
	24 - 31	GREEN
	32 - 39	BLUE
	40 - 47	RED & GREEN
	48 - 55	GREEN & BLUE
	56 - 63	RED & BLUE
	64 - 71	RED, GREEN, & BLUE
	72 - 79	COLOR 1
	80 - 87	COLOR 2
	88 - 95	COLOR 3
	96 - 103	COLOR 4
	104 - 111	COLOR 5
	112 - 119	COLOR 6
	120 - 127	COLOR 7
	128 - 135	COLOR 8
	136 - 143	COLOR FADE 1
	144 - 151	COLOR SNAKE
	152 - 159	COLOR FADE 2
	160 - 167	COLOR CHANGE
	168 - 175	COLOR FLOW 1
	176 - 183	COLOR FLOW 2
	184 - 191	COLOR FLOW 3
	192 - 199	COLOR FLOW 4
	200 - 207	COLOR FLOW 5
	208 - 215	COLOR FLOW 6
	216 - 223	COLOR FLOW 7
	216 - 223	COLOR FLOW 7
224 - 231	COLOR FLOW 8	
232 - 239	COLOR FLOW 9	
240 - 255	SOUND ACTIVE	

Dotz Panel 2.4		29 Channel Mode
Channel	Value	Function
26		PROGRAM SPEED/SOUND SENSE
	0 - 255	PROGRAM SPEED SLOW - FAST
27	0 - 255	MASTER DIMMER 0% - 100%
28		STROBING
	0 - 255	SLOW - FAST
29		DIMMER CURVES
	0 - 41	STANDARD
	42 - 84	STAGE
	85 - 127	TV
	128 - 170	ARCHITECTURAL
	171 - 213	THEATER
214 - 255	DEFAULT TO UNIT CURVE SETTING	

When Channel 25 is being used between the values of 136-239, Channel 26 will control the speed of the programs.

When Channel 25 is being used between the values of 240-255, Channel 26 will control sound sensitivity.

Dotz Panel 2.4

Installation

When installing the unit, the trussing or area of installation must be able to hold 10 times the weight without any deformation. When installing the unit must be secured with a secondary safety attachment, e.g. and appropriate safety cable. Never stand directly below the unit when mounting, removing, or servicing the unit.

Overhead mounting requires extensive experience, including calculating working load limits, installation material being used, and periodic safety inspection of all installation material and unit. If you lack these qualifications, do not attempt the installation yourself.

These installation should be checked by a skilled person once a year.

The Dotz Panel 2.4 is fully operational in two different mounting positions, hanging upside-down from a ceiling or set on a flat level surface. To avoid internal damage to the unit, never mount the unit on its side as illustrated above. Be sure this fixture is kept at least 0.5m away from any flammable materials (decoration etc.). Always use and install the supplied safety cable as a safety measure to prevent accidental damage and/or injury in the event the clamp fails. Never use the carrying handles for secondary attachment.

Dotz Panel 2.4

Power Cord Daisy Chaining

With this feature you can connect the fixtures to one another using the IEC input and output sockets. The quantity that can be connected is 8 fixtures maximum for 120V, and 17 fixtures maximum for 230V. After the maximum fixtures has been reached you will need to use a new power outlet. They must be the same fixtures. DO NOT mix fixtures.

Dotz Panel 2.4

Fuse Replacement

Locate and remove the unit's power cord. Once the cord has been removed locate the fuse holder located inside the power socket. Insert a flat-head screw driver into the power socket and gently pry out the fuse holder. Remove the bad fuse and replace with a new one. The fuse holder has a built-in socket for a spare fuse be sure not to confuse the spare fuse with active fuse.

Dotz Panel 2.4

Cleaning

Due to fog residue, smoke, and dust cleaning the internal and external optical lenses must be carried out periodically to optimize light output.

1. Use a soft cloth to wipe down the outside casing.

Cleaning frequency depends on the environment in which the fixture operates (i.e. smoke, fog residue, dust, dew).

Dotz Panel 2.4

Troubleshooting

Listed below are a few common problems the user may encounter, with solutions.

Unit not responding to DMX:

1. Check that the DMX cables are connected properly and are wired correctly (pin 3 is "hot"; on some other DMX devices pin 2 may be 'hot'). Also, check that all cables are connected to the right connectors; it does matter which way the inputs and outputs are connected.

Unit does not respond to sound:

1. Quiet or high pitched sounds will not activate the unit.

*If problems are not resolved; Contact ADJ Products, LLC for service.
1-800-322-6337*

Dotz Panel 2.4

Warranty

MANUFACTURER'S LIMITED WARRANTY

- A. ADJ Products, LLC hereby warrants, to the original purchaser, ADJ Products, LLC products to be free of manufacturing defects in material and workmanship for a prescribed period from the date of purchase (see specific warranty period on reverse). This warranty shall be valid only if the product is purchased within the United States of America, including possessions and territories. It is the owner's responsibility to establish the date and place of purchase by acceptable evidence, at the time service is sought.
- B. **For warranty service you must obtain a Return Authorization number (RA#) before sending back the product—please contact ADJ Products, LLC Service Department at 800-322-6337.** Send the product only to the ADJ Products, LLC factory. All shipping charges must be pre-paid. If the requested repairs or service (including parts replacement) are within the terms of this warranty, ADJ Products, LLC will pay return shipping charges only to a designated point within the United States. If the entire instrument is sent, it must be shipped in its original package. No accessories should be shipped with the product. If any accessories are shipped with the product, ADJ Products, LLC shall have no liability whatsoever for loss of or damage to any such accessories, nor for the safe return thereof.
- C. This warranty is void if the serial number has been altered or removed; if the product is modified in any manner which ADJ Products, LLC concludes, after inspection, affects the reliability of the product; if the product has been repaired or serviced by anyone other than the ADJ Products, LLC factory unless prior written authorization was issued to purchaser by ADJ Products, LLC; if the product is damaged because not properly maintained as set forth in the instruction manual.
- D. This is not a service contract, and this warranty does not include maintenance, cleaning or periodic check up. During the period specified above, ADJ Products, LLC will replace defective parts at its expense with new or refurbished parts, and will absorb all expenses for warranty service and repair labor by reason of defects in material or workmanship. The sole responsibility of ADJ Products, LLC under this warranty shall be limited to the repair of the product, or replacement thereof, including parts, at the sole discretion of ADJ Products, LLC. All products covered by this warranty were manufactured after August 15, 2012, and bear indentifying marks to that effect.
- E. ADJ Products, LLC reserves the right to make changes in design and/or improvements upon its products without any obligation to include these changes in any products theretofore manufactured.

No warranty, whether expressed or implied, is given or made with respect to any accessory supplied with products described above. Except to the extent prohibited by applicable law, all implied warranties made by ADJ Products, LLC in connection with this product, including warranties of merchantability or fitness, are limited in duration to the warranty period set forth above. And no warranties, whether expressed or implied, including warranties of merchantability or fitness, shall apply to this product after said period has expired. The consumer's and/or Dealer's sole remedy shall be such repair or replacement as is expressly provided above; and under no circumstances shall ADJ Products, LLC be liable for any loss or damage, direct or consequential, arising out of the use of, or inability to use, this product.

This warranty is the only written warranty applicable to ADJ Products, LLC Products and supersedes all prior warranties and written descriptions of warranty terms and conditions heretofore published.

MANUFACTURER'S LIMITED WARRANTY PERIODS:

- **Lighting Products = 1-year (365 days) Limited Warranty** (Such as: Special Effect Lighting, Intelligent Lighting, UV lighting, Strobes, Fog Machines, Bubble Machines, Mirror Balls, Par Cans, Trussing, Lighting Stands etc. excluding LED and lamps)
- **Laser Products = 90-Day Limited Warranty**
- **L.E.D. Products = 3-year (1095 days) Limited Warranty** (excluding motors, PCB boards, and power supplies, which have a 1-year (365 day Limited Warranty) and batteries which have a 180 day limited warranty). Only the L.E.D.s carry a 3-year warranty

ADJ Products, LLC - www.adj.com - Dotz Panel 2.4 User Manual Page 22

Dotz Panel 2.4

Specifications

SPECIFICATIONS:

Voltage:	100V~240V 50Hz/60Hz
LEDs:	8 x 9W COB TRI LEDs
Power Consumption:	106W Total (All LED's @ Full)
Beam Angle:	25 Degrees
Fuse:	2Amp
Power Cord Daisy Chain:	8 Fixtures Max. (120V) 17 Fixtures Max. (230V)
Weight:	14lbs./ 6.4Kgs.
Dimensions:	13.5" (L) x 6.5" (W) x 9" (H) 345 x 164 x 227mm
Colors:	RGB Color Mixing
DMX Channels:	3 Channel Mode, 6 Channel Mode, 8 Channel Mode, 24 Channel Mode, & 29 Channel Mode
Working Position:	Any safe working position
Warranty:	3 Year (1095 days)

Auto Sensing Voltage: *This fixture contains a automatic voltage switch, which will auto sense the voltage when it is plugged into the power source.*

Please Note: Specifications and improvements in the design of this unit and this manual are subject to change without any prior written notice.

ADJ Products, LLC
6122 S. Eastern Ave. Los Angeles, CA 90040 USA
Tel: 323-582-2650 / Fax: 323-725-6100
Web: www.adj.com / E-mail: info@americandj.com

A.D.J. Supply Europe B.V.
Junostraat 2
6468 EW Kerkrade
Netherlands

service@adjgroup.eu / www.adj.eu

Tel: +31 45 546 85 00 / Fax: +31 45 546 85 99

Follow Us On:



facebook.com/americandj
twitter.com/americandj
youtube.com/adjlighting